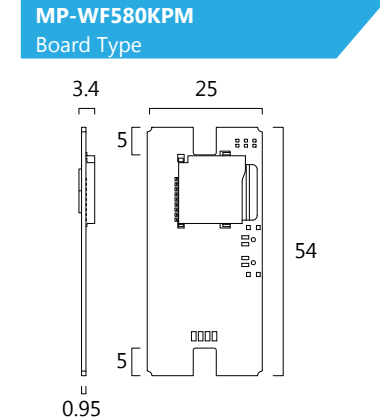
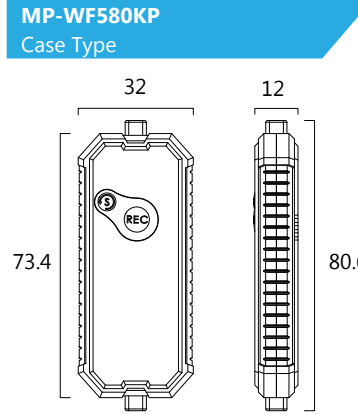


Specification

Model No.	MP-WF580KP	MP-WF580KPM
Dimensions (mm)	73.4 (L) x 32 (W) x 12 (H)	54 (L) x 25 (W) x 3.4 (H)
Audio	Support (H.264)	
Chipset	ABC 8000, 1 Ghz MIPS, MCU	
Standards	IEEE 802.11n / b / g standards compliant	
RF Interface	I-PEX connector x 1 & PCB antenna x 1	
Operating Frequency	2.412 - 2.483 GHz (Subject to Local Regulations) Frequency Range USA (FCC) 2.412 GHz ~ 2.462 GHz Europe (ETSI) 2.412 GHz ~ 2.472 GHz Japan (TELEC) 2.412 GHz ~ 2.483 GHz	
Data Rate	802.11b 1, 2, 5.5, 11 Mbps 802.11g 6, 9, 12, 18, 24, 36, 48, 54 Mbps 802.11n up to 300 Mbps	
Bandwidth Channels	802.11n 20 MHz / 40 MHz; 802.11b/g USA (FCC) 11 channels EU (ETSI) 13 channels Japan (TELEC) 13 channels	
Transmit Power	802.11b 16 +/- 1.5 dBm@11 Mbps 802.11gn HT20 13 +/- 1.5 dBm @ MCS7 802.11gn HT40 13 +/- 1.5 dBm @ MCS7 802.11n HT20 13 +/- 1.5 dBm @ MCS7 802.11n HT20 13 +/- 1.5 dBm @ MCS7	
Receive Sensitivity	11n < -67 dBm typical with 20 MHz 11b < -82 dBm typical @ 11 Mbp 11g < -71 dBm typical @ 54 Mbp < -64d Bm typical with 40 MHz	
Function	Loop Recording, Snapshot	
Video Format	MJPEG , H.264 (UVC Camera)	
Recording Resolution	1920 x 1080 Full-HD 1080p	
Operating Voltage	5V (2A)	
Storage	Micro SD 128GB (exFat format)	
Operating	0~40C , 10%~90%, Non-Condensing	
Storage	-30~70C , 10%~95%, Non-Condensing	
Real-time clock (RTC)	Support	
App	Android and iOS	







Unit: ± 0.5 mm

Feature

- Support Micro SD 128GB.
- Portable Size.
- Wi-Fi Mini DVR.
- Support UVC Camera (H.264 & MJPEG).
- Support RTC.

MP-WF580KPM-D-32

SERIES	COMMUNICATION	DISPLAY	TYPE	CONNECTOR	MICRO SD CARD
MP DVR	WF Wireless	580KP Color	N/A Case Type M Board Type	UVC Signal D USB 2.0 Type A M USB 2.0 Micro Type B (OTG) T USB 2.0 Type C I USB 2.0 Mini Type B   USB Type A USB Micro Type B   USB Type C USB Mini Type B	N/A No Card 32 32 GB 64 64 GB 128 128 GB
		* KP Internet IP Connection			

- Camera Resolution** → Support to 1080p.
- Loop Recording** → Overwrites older video files, No more worry about SD card capacity.
- Two method to Record** → 1. via DVR button. 2. via APP.
- Small & Slim** → Portable Size.
- Internet IP connection** → No Limit of Distance.

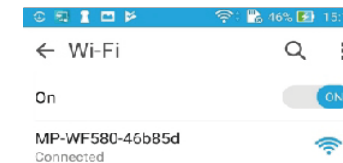


Compatible with MP-WF580KP

Image	Series	Dimensions (mm)	Resolution	Image Sensor	LED (White)	UVC Format	Type
	V1000L	Ø 1.66	200 x 200	1/36" Color	LED x 1	YUV	Tube
	V1001L	Ø 2.5	400 x 400	1/18" Color	LED x 3	YUV / MJPEG	Tube
	V164A03L	Ø 3.65	1280 x 720	1/11" Color	LED x 6	YUV / MJPEG	Tube
	V1003L	Ø 3.8	400 x 400	1/10" Color	LED x 4	YUV / MJPEG	Tube
	V17204L	Ø 4	640 x 480	1/10" Color	LED x 6	YUV / MJPEG	Tube
	V20904L	Ø 4.2	1280 x 720	1/9" Color	LED x 6	YUV / MJPEG	Tube
	V31105L	Ø 5.4	1920 x 1080	1/6" Color	LED x 6	YUV / MJPEG / H.264	Tube
	V4110L	Ø 10	1280 x 720	1/4" Color	LED x 10	YUV / MJPEG / H.264	Tube
	V5015L	Ø 15	2592 x 1944	1/4" Color	LED x 12	YUV / MJPEG	Tube
	S10415	15 x 15	1920 x 1080	2/3" Color	N/A	YUV / MJPEG / H.264	Epoxy
	2600FDC	150 x 160	1920 x 1080	1/6" Color	N/A	YUV / MJPEG / H.264	Hidden
	N41xx	10.3 x 40.7	1280 x 720	1/4" Color	N/A	YUV / MJPEG / H.264	Hidden
	N20xx	22.8 x 57.4	1920 x 1080	1/2.7" Color	N/A	YUV / MJPEG / H.264	Hidden

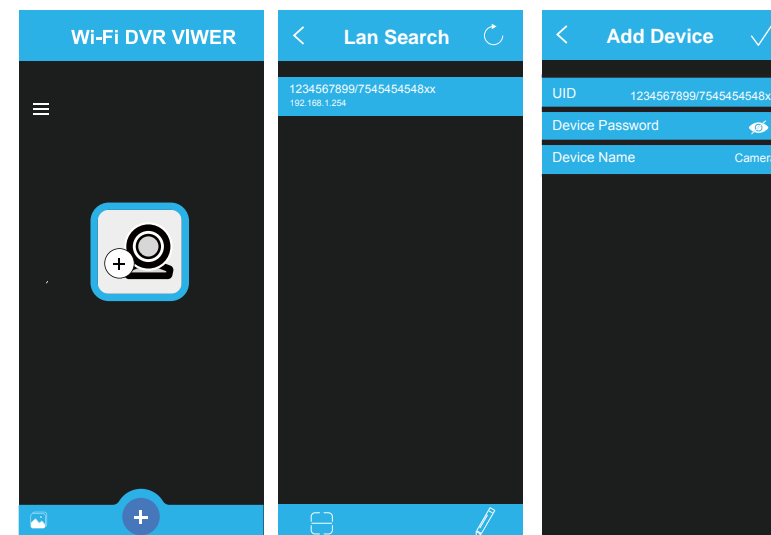
▶ Preview Image

1. Download app and install it on android device.
2. Click DVR then smartphone connects to the Internet.
3. Searching DVR's SSID " MP-WF580" on android device's wifi setting then link it.



Note: Make sure the camera has connected to DVR, before previewing.

4. Tap+ to add new device.
5. When the device has been detected, please enter the device password.
Tap the on the top right. (default password is "888888")



Compatible With WiFi DVR (H.264)

Extremely lightweight 1/6" CMOS UVC glasses camera with 1920 x1080 (1080p) resolution. Compatible with mini UVC Wi-Fi DVR.

Supports H.264 video format input, loop recording, snapshot functions.
Supports max memory 128 GB (micro SD).
Users can view live streaming video via a smartphone.

NOTE for MP-WF580KP:

With H.264 cameras deliver the best 1080p live streaming performance.
With MJPEG cameras can only live stream with resolutions at 720p and below.
MJPEG cameras delivers the best live streaming at 640 x 480 resolution.



Omni-Viewer

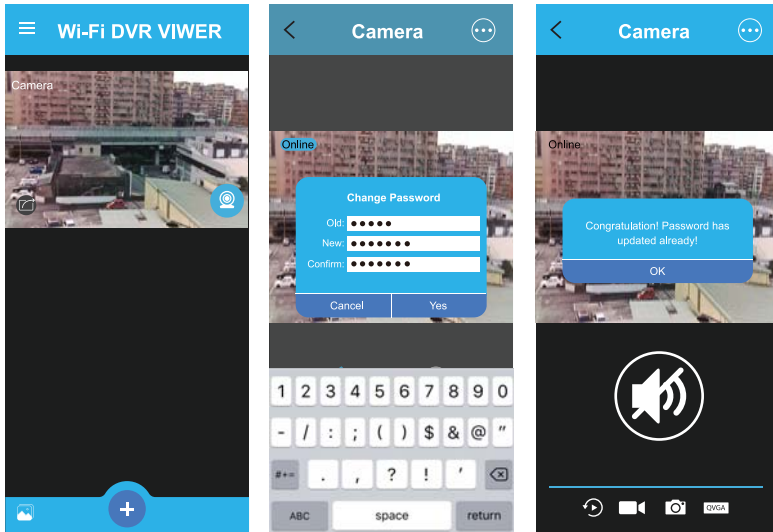


Android

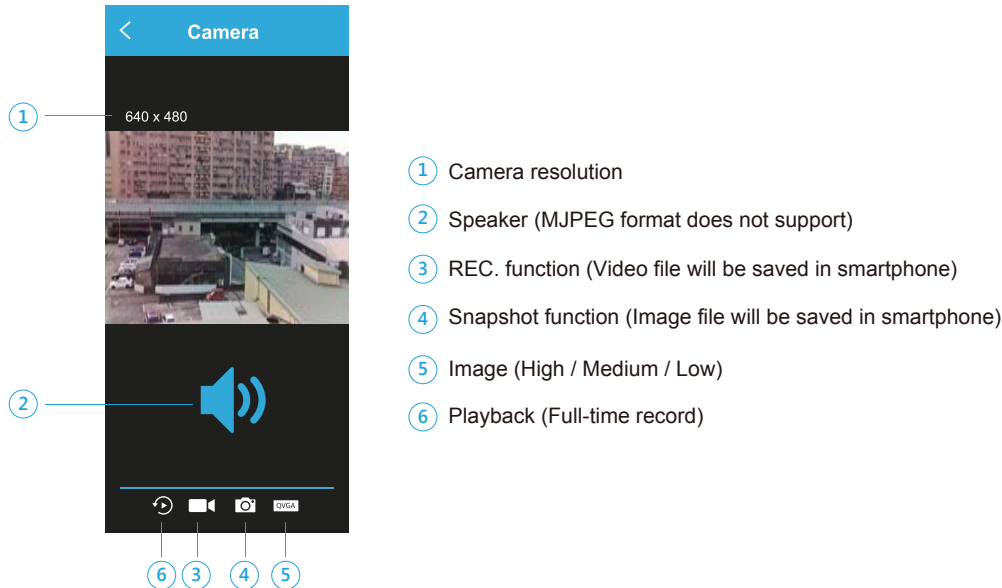


iOS

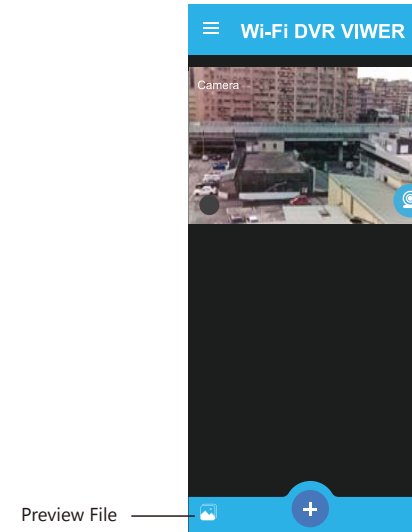
6. When the device successfully connection, the device list screen will appear.
7. Please change your device password to complete the setup.
8. Tap the device video screen to view live stream.



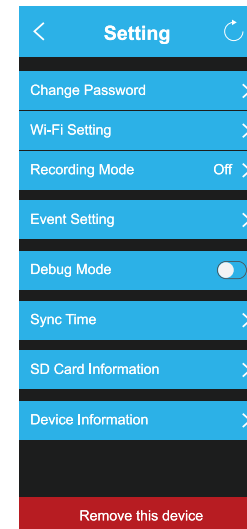
9. Live streaming interface.



10. Preview file on smartphone



► APP Setting



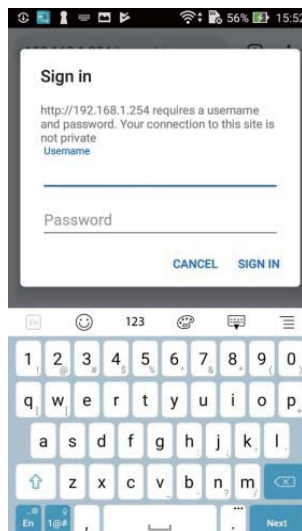
- ① Change DVR's preview password.
- ② Connection Wi-Fi network Router's Settings.
- ③ Recording Mode (full-time record).
- ④ The "event setting" function depends on the camera must with motion function. (Suggest Model: MD-N20xx series).
- ⑤ After turning on this function, the preview image will show fps, bps information.
- ⑥ Sync DVR and app device time.

③ Full-time recording function will produce two files separately (video and audio) in the micro SD card.

Suggested to preview video in the app because audio and video is combined in the app.

▶ Setting via Brower

1. Type "http://192.168.1.254/home.htm" on google chrome browser.
Username: admin (default)
Password: 888888 (default)
2. The user can be setting DVR function on here.



Note: If you forget your password, please press and hold the reset button on the device to restore factory settings.

Name	Description
Firmware Version	20200630
Current time	Press "Copy computer time" to sync DVR time
Resolution	Camera Resolution
FPS	Camera frame rate
Loop Recording	If SD card storage is full, the new image file will overwrite older files.
Recording length per file	Save image file every 180 sec. automatically

▶ Setting Camera Resolution

1. Select resolution → Click "save" button → Press DVR "reset" button around 10 sec. then indicator will blink one time to reboot the DVR and finish setting.

▶ Firmware Update

1. Type "http://192.168.1.254/home.htm" on google chrome browser.
Username: admin (default)
Password: 888888 (default)
2. Select the Management → Upgrade firmware → firmware you want to update.
3. Click "upload".



4. When DVR upgrade is successful, DVR green indicator will be blinking after pressing "reset" button for 10 sec. and indicator (blue) will blink two times.
5. Reload browser to preview .

